



# PR 600 MOBILE FALL PROTECTION SYSTEM FOR FLAT ROOFS



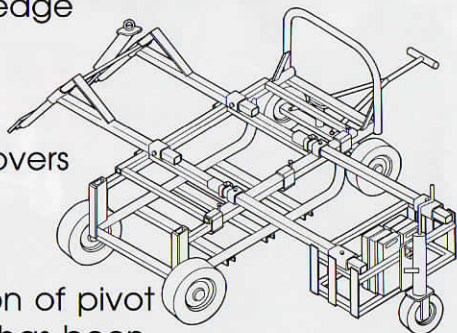
# PR 600 MOBILE FALL PROTECTION SYSTEM

The **PR 600 MOBILE FALL PROTECTION SYSTEM** was designed to be used on top of flat roofs. This fall protection system clamps to a standard utility roof cart and can be adjusted to fit onto all standard utility carts. This allows the **PR 600** to be moved easily along the roof's top by simply pulling the cart to the desired location, then turning the handle on the Wheel Jack lifts the Ballast Weight and lowers the Pivot Arms, so that they touch onto the roof's deck, setting the fall protection system in place.

The **PR 600 MOBILE FALL PROTECTION SYSTEM** is easy to assemble and dismantle and allows up to two workers to be tied off at the same time to the same unit, providing a fall safe working area.

## **THE PR 600 COULD BE USED FOR**

- Removing or installing coping
- Tear off and installation of leading edge
- Removal & replacement of in-field roof deck
- Installing or dismantling edge guardrail systems
- Working around roof openings
- Removing or installing covers or skylights
- Snow removal



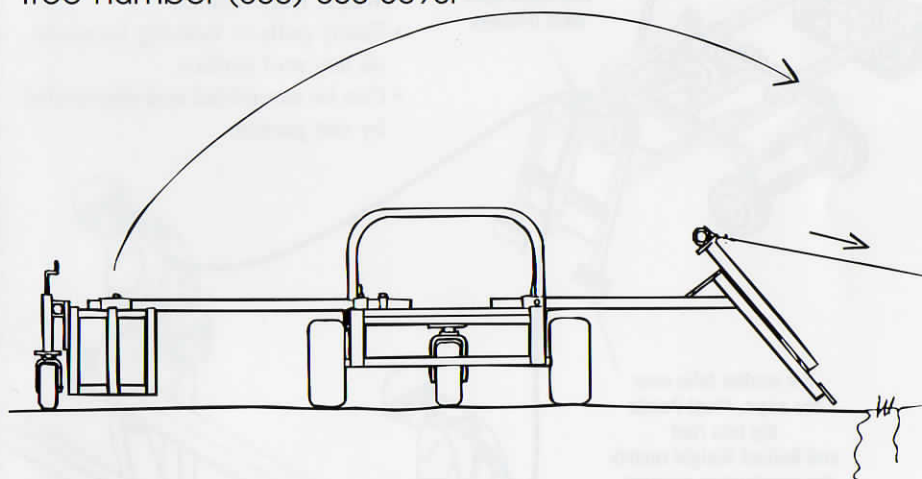
The unique leverage action of pivot point and resisting ballast has been fully engineered by Group Eight Engineering and has been through a full line of steel drop weight tests and dynamic load tests by **INTERTEK NA. TESTING SERVICES.**

The PR 600 System resists the horizontal load of a workers' fall by driving the pivot plates into the roof membrane and creating a pivot point. The workers' horizontal fall overturning moment about the pivot point is then resisted by an opposite moment created by the ballast weights.

If there is no horizontal load on the mast then the pivot points will NOT penetrate the roof.

To move the PR 600 to another position along the leading edge, simply lower the ballast weight by turning the handle on the jack leg which, in turn, raises the pivot points up and allows the cart to be pulled forward.

For more information on the PR 600, please call our toll free number (800) 560-3093.



## **PROTECTIVE ROOFING PRODUCTS LTD.**

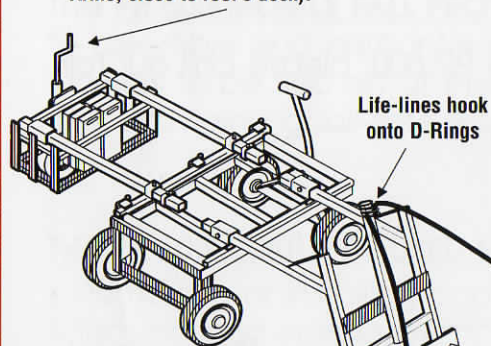
10 Pinelands Ave. Unit #5, Stoney Creek, ON. Canada L8E 3A5  
(800) 560-3093 (905) 662-1169 Fax (905) 662-8520  
[www.prplimited.com](http://www.prplimited.com) [info@prplimited.com](mailto:info@prplimited.com)

# PROTECTIVE ROOFING PRODUCTS LTD.

10 Pinelands Ave., Unit #5, Stoney Creek, ON, Can. L8E 3A5  
1-800-560-3093 905-662-1169 FAX 905-662-8520  
www.prplimited.com info@prplimited.com

## PR 600 Mobile Fall Protection System

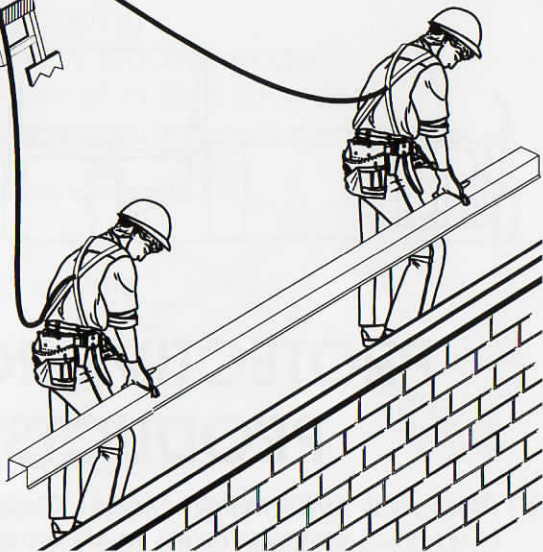
To Set the PR600 into place:  
Turn the handle on the Wheel Jack.  
(Lifts Ballast Basket & lowers Pivot  
Arms, close to roof's deck).



Life-lines hook  
onto D-Rings

If a worker falls over  
the edge, Pivot Points  
dig into roof  
and Ballast Weight resists  
the overturning moment,  
arresting the worker's fall.

- Provides Fall protection for 2 workers.
- Meets MOL Construction Regulations (Section 26, 26.7 Reg. 213/91.
- Clamps to any standard 3 or 4 Wheel Roof Trailer.
- Easily pulls to working locations on any roof surface.
- Can be assembled and dismantled by one person.



### FOR FLAT ROOFS