

PROTECTIVE ROOFING PRODUCTS LTD.

10 Pinelands Ave., Unit #5, Stoney Creek, Ontario, Canada L8E 3A5

(800) 560-3093 (905) 662-1169 fax (905) 662-8520

www.prplimited.com info@prplimited.com



Installation and Maintenance Instruction For PR 600 Mobile Fall Protection System

PR 600 FALL PROTECTION SYSTEM COMPLIES WITH THE REQUIRMENTS OF THE FEDERAL OCCUPATIONAL SAFETY AND HEALTH ADMINISTRATION (O.S.H.A.) AND (O.H.&S.) OCCUPATIONAL HEALTH AND SAFETY WHEN INSTALLED ACCORDING TO THE MANUFACTURES INSTRUCTIONS.

WARNING:

THESE PRODUCTS MUST BE USED IN STRICT COMPLIANCE WITH FEDERAL O.S.H.A. AND CANADIAN O.H.S. REGULATIONS. FOLLOW ALL SAFETY PRACTICES. FAILURE TO READ AND FOLLOW INSTRUCTIONS ON THE USE OF THESE PRODUCTS COULD RESULT IN PROPERTY DAMAGE OR SERIOUS INJURY.

READ AND FOLLOW INSTRUCTIONS CAREFULLY

WARNING

Always check product for damage prier to use. If any equipment parts are cracked, bent or damaged – **DO NOT USE.**

CARE AND MAINTENANCE:

1. Inspect all PR600 FALL PROTECTION SYSTEM equipment and parts before and after each use to insure there is no damage or deformation to any equipment or parts.
2. Inspect or insure there is no damage as a result of rust or corrosion. Discard if necessary.
3. Always handle the PR 600 FALL PROTECTION SYSTEM with care. Pay special attention in checking for splitting, cracking or deterioration of this equipment; if any discard at once.
4. Do not throw or drop any of the equipment or parts from building or heights. Always handle with care.

GENERAL REQUIREMENTS:

PR 600 Mobile Fall Protection System shall be used only on roof structure capable of resisting the max. vertical (800 lb.) and horizontal (3100 lbs.) loads resulting from workers' fall and driving in of pivot plates into the roof system.

Always erect and use in accordance with the appropriate O.S.H.A. and O.H.S. Regulations. Follow all applicable Federal, State, Provincial and Local Safety Regulations.

The PR 600 Mobile Fall Protection System should not be used on solid ice.

PROTECTIVE ROOFING PRODUCTS LTD.

10 Pinelands Ave., Unit #5, Stoney Creek, Ontario, Canada L8E 3A5

(800) 560-3093 (905) 662-1169 fax (905) 662-8520

www.prplimited.com

info@prplimited.com

PR 600 MOBILE FALL PROTECTION SYSTEM

ASSEMBLY INSTRUCTIONS

Refer to Video Supplied

To assemble the PR 600 the position of the utility cart is to be parallel to the leading edge with the pivot arms pointing toward the edge.

- 1/ Place the base assembly onto the utility roof cart & tighten down to the utility cart.
- 2/ Slide the extension arms into the base assembly, tighten down to secure the arms into place.
- 3/ Ballast basket slides into the extension arms and is secured with tighteners to hold basket in place.
- 4/ Insert the pivot arms onto opposite side of base assembly and insert joining bolts.
- 5/ Place weight into Ballast Basket.

The distance of the Pivot Points to the leading edge shall be no less than fifteen feet (4.6 meters)

The Ballast Basket is to be extended out to a distance of nine feet (2.8 meters) from the Pivot Arms.

The suggested amount of weight to be placed into the Ballast Basket is Three Hundred Pounds (136 Kg.)

Turn the handle on the Wheel Jack to lift the Ballast Weight this lowers the Pivot Points to touch onto the roof's deck, setting the Fall Protection System in place.

The Life Lines are then hooked up to the D-Ring anchors located at the top of the Mast and rigged so that if a worker falls over the edge. The workers fall will be arrested not more than two feet (.6 meters).

If there is no existing roofing membrane then an Accessory Plate is bolted to the Pivot Arm Points and mechanically fastened to the roofs deck.

No more than one person can be rigged under Fall Arrest with a second person rigged as Travel Restraint.
Refer to Rigging Chart.

Up to two workers can be tied off to the same unit at the same time. If a worker falls over the edge, the life line will pull on the top of the mast, pulling on the cross member that is welded to the pivot arms, pushing on the lower cross member, driving the pivot arm plates into the roofing membrane, this anchors the PR 600 system, creating a moment between the Pivot Arms and the Ballast Weight, Thus arresting the workers fall.

In the Province of Ontario only two anchor lugs can be used.

Deck Instructions

The PR 600 shall not be used for fall arrest on leading edge work where the parapet is higher than 30" (.7 meters).

If a worker falls over the edge, the lifeline will pull on the top of the mast, pulling on the cross member that is welded to the pivot arms, pushing on the lower cross member driving pivot arm plates into the roofing membrane.

This anchors the PR 600 System, creating a moment between the pivot arms and the Ballast Weight, thus arresting the workers fall.

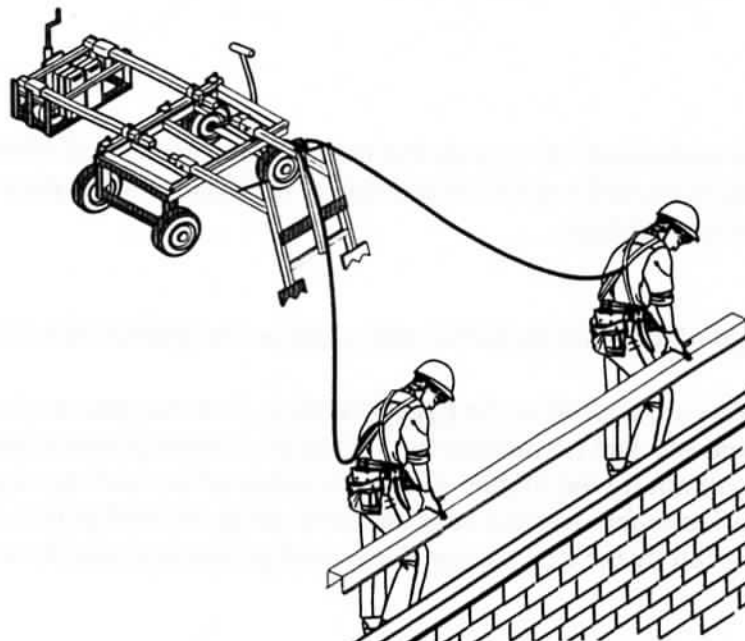
If there is no existing roofing membrane, then an accessory plate will be bolted to the pivot arm plates and then mechanically fastened to the roof deck with 4- 3/8 x 2" (1cm x 5.1cm) wedge anchor, imbedded 1 1/2" (3.8cm) into concrete.

On wood decks where there is no existing membrane, turn the handle on the wheel jack to lift the Ballast Weight, until the pivot points depress the wood.

On steel fluted decks, where the flutes are running parallel to the leading edge, lift the ballast weight until the pivot points set into the bottom of flute.

On steel decks, where the flutes run perpendicular to the leading edge, an accessory plate must be bolted to the pivot arm plates and accessory plate is fastened to the steel deck, with a minimum 5/16 x 1 1/2" self tapping sheet metal screw.

Our PR 600 Mobile Fall Protection System is also designed to break down into component parts allowing one person to take the system up to the roof in an elevator and assemble it on the roof.



PR 600 MOBILE FALL PROTECTION SYSTEM

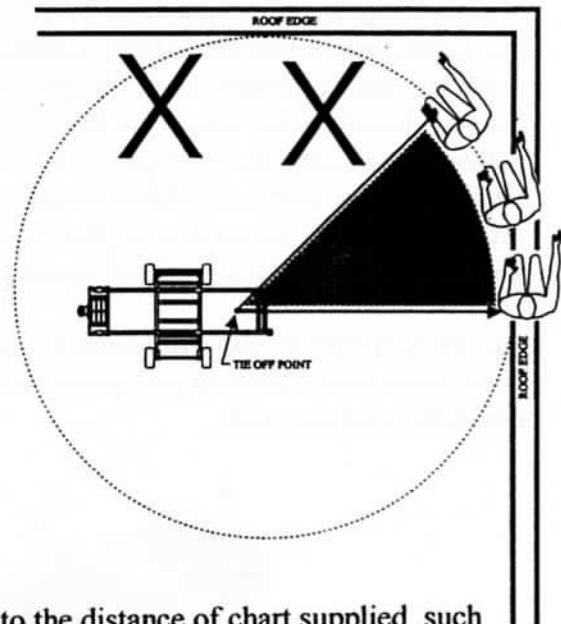
THE PR 600 MOBILE FALL PROTECTION SYSTEM was designed to be used on top of flat roofs. This fall protection system clamps to most standard utility roof carts, thus allowing the **PR 600** to be moved along the roof's top, simply by pulling the roof cart to the desired location. The position of the utility cart is to be parallel to the leading roof edge with the pivot arms pointing toward the edge. The distance of the pivot arms to the leading edge, to be no less than 15 feet (4.6 meters.) The ballast weight to be extended out to a distance of 9 feet (2.8 meters) from the pivot arms.

Turn the handle on the Wheel Jack that lifts the Ballast Weight and lowers the pivot Arms, so that they touch onto the roof's deck, setting the fall protection system in place, after positioning the **PR 600** the turning wheel must be locked in the forward position with **PR 600** locking device.

IMPORTANT

NOTE: Worker shall not round a corner, Or work at right angle to the pivot arms, at an opposing leading edge.

In the event of a workers fall at a right angle to the pivot arms, could cause the PR 600 to move in a lateral motion.



Rigging must be carried out by a competent person to the distance of chart supplied, such as the lifeline not to exceed two feet in addition to the distance from pivot arms perpendicular to leading edge.

Maximum weight of a worker including tools shall not be greater than 310 lbs. (141 kg.)

When two workers are hooked to the **PR 600** anchor, then one person can rig a safety line, not to exceed two feet (.6 meters) from distance of pivot points to leading edge. The second person will not rig the lifeline within six inches of the leading edge, thus not allowing the worker to fall over the edge and restraining the worker to the confines of the roof. In case of a fall by the first person, the second person is available to rescue the first person.

PROTECTIVE ROOFING PRODUCTS LTD.

10 Pinelands Ave., Unit #5, Stoney Creek, Ontario, Canada L8E 3A5

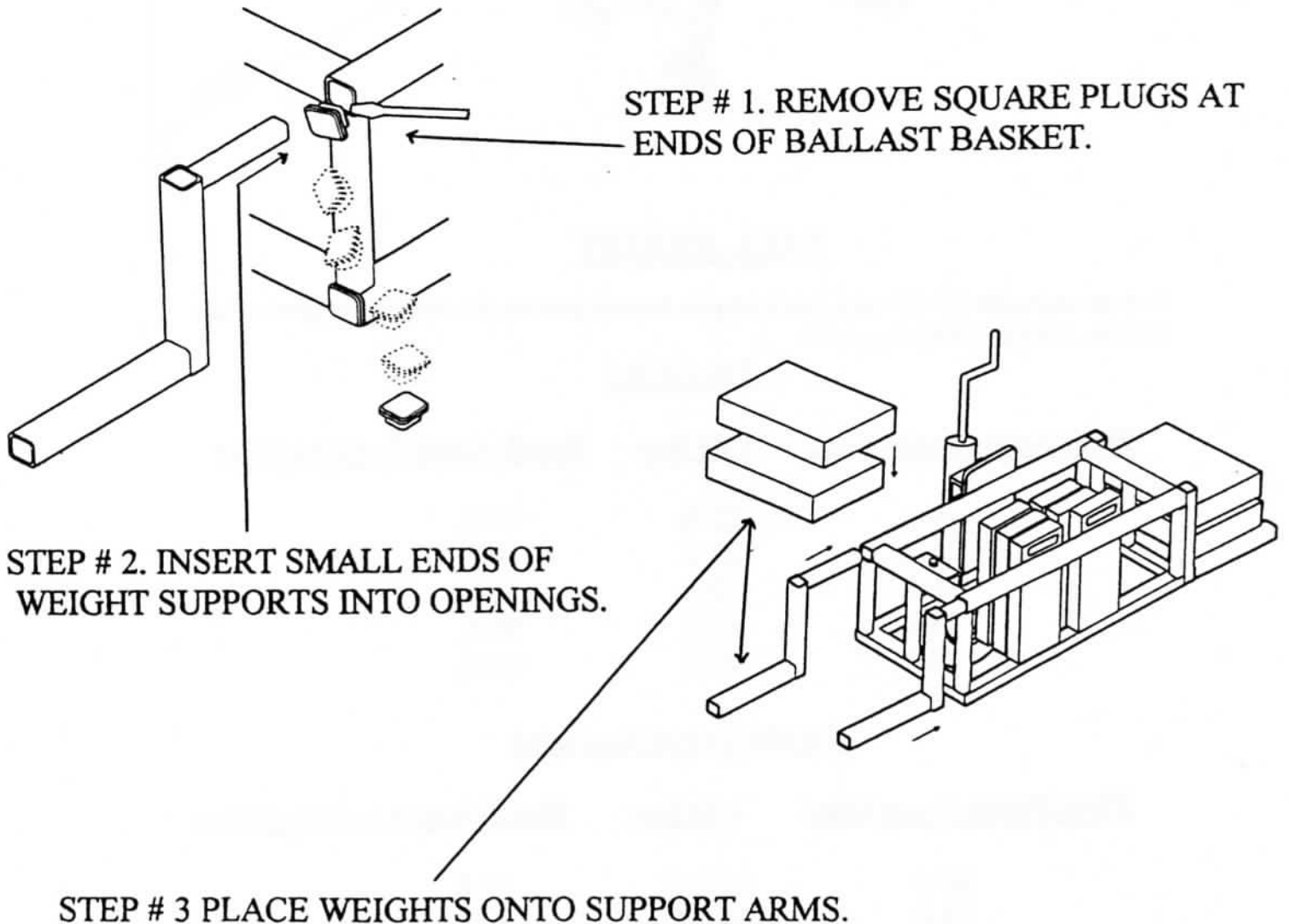
(800) 560-3093 (905) 662-1169 fax (905) 662-8520

www.prplimited.com

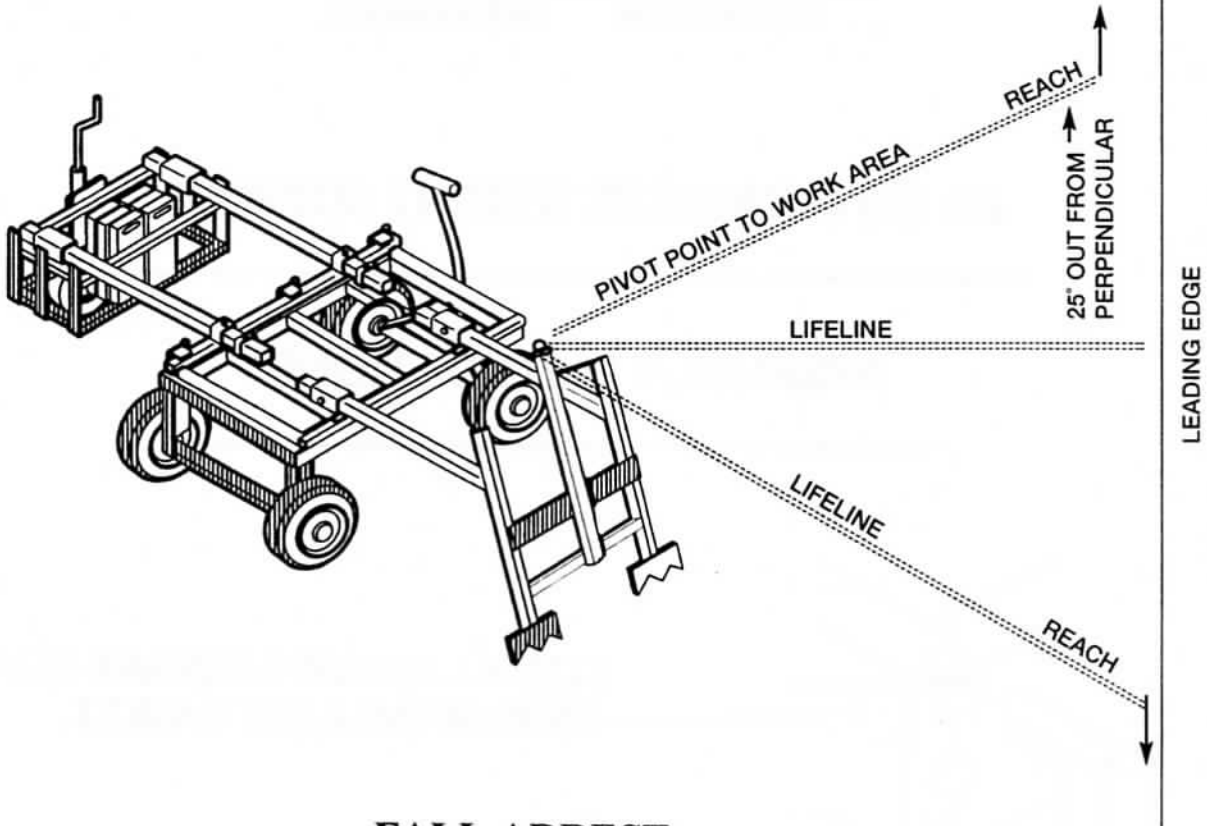
info@prplimited.com

PR 600 CONCRETE WEIGHT SUPPORTS

ASSEMBLY INSTRUCTIONS



PR 600 RIGGING CHART



FALL ARREST

Persons using the PR 600 as a Fall Restraint Anchor shall be of a weight **not** greater than 310 lbs. (141 kg.) including tools.

2 ft. (.6 m.)

<u>Pivot Points From Edge</u>	<u>Life line</u>	<u>Reach Along Leading Edge</u>
20 ft.	22 ft.	25 ft.
25 ft.	27 ft.	30 ft.
30 ft.	32 ft.	32 ft.
35 ft.	37 ft.	35 ft.
40 ft.	42 ft.	40 ft.

PR 600 Travel Restraint

<u>Pivot Points From Edge</u>	<u>Life line</u>	<u>Reach Along Leading Edge</u>
20 ft.	19 ft 6"	21 ft.
25 ft.	24 ft.6"	24 ft.
30 ft.	29 ft 6"	28 ft.