

# PROTECTIVE ROOFING PRODUCTS LTD.

10 Pinelands Ave., Unit #5, Stoney Creek, ON, Canada L8E 3A5  
(800) 560-3093 • (905) 662-1169 • fax (905) 662-8520  
Website: www.prplimited.com • E-Mail: info@prplimited.com

## PR 600 MOBILE FALL PROTECTION SYSTEM

### ASSEMBLY INSTRUCTIONS

#### REFER TO VIDEO SUPPLIED

To assemble the **PR 600** the position of the utility cart is to be parallel to the leading edge, with the pivot arms pointing toward the edge.

- 1/ Place the base assembly onto the utility roof cart and tighten down to the utility cart.
- 2/ Slide the extension arms into the base assembly, tighten down to secure the arms into place.
- 3/ Ballast basket slides into the extension arms and is secured with tighteners to hold basket in place.
- 4/ Insert the pivot arms onto opposite side of base assembly and insert joining bolts.
- 5/ Place weight into Ballast Basket.

The distance of the **Pivot Arms** to the leading edge shall be no less than fifteen feet (4.6 meters).  
The **Ballast Basket** to be extended out to a distance of nine feet (2.8 meters) from the **Pivot Arms**.  
The amount of weight to be placed into the **Ballast Basket** is Five Hundred Pounds (230 Kg.).

Turn the handle on the **Wheel Jack** to lift the **Ballast Weight**. This lowers the **Pivot Arms** to touch onto the roof's deck, setting the **Fall Protection System** in place.

The **Life Lines** are then hooked up to the **D-Ring** anchors located at the top of the **Mast** and rigged so that if a worker falls over the edge, the worker's fall will be arrested not more than two feet (.6 meters). If there is no existing roofing membrane, then an **Accessory Plate** is bolted to the **Pivot Arms** and mechanically fastened to the roof's deck.

No more than two workers can be rigged under Fall Arrest with a third person rigged as Travel Restraint. **REFER TO RIGGING CHART.**

Up to three workers can be tied off to the same unit at the same time. If a worker falls over the edge, the life line will pull on the top of the mast, pulling on the cross member that is welded to the pivot arms, pushing on the lower cross member, driving the pivot arm plates into the roofing membrane. This anchors the **PR 600** system, creating a moment between the **Pivot Arms** and the **Ballast Weight**, thus arresting the worker's fall.

# **INSTALLATION AND MAINTENANCE INSTRUCTION FOR PR 600 MOBILE FALL PROTECTION SYSTEM**

PR 600 FALL PROTECTION SYSTEM COMPLIES WITH THE REQUIREMENTS OF THE FEDERAL OCCUPATIONAL SAFETY AND HEALTH ADMINISTRATION (O.S.H.A.) AND OCCUPATIONAL HEALTH AND SAFETY (O.H.&S.) WHEN INSTALLED ACCORDING TO THE MANUFACTURER'S INSTRUCTIONS.

## **WARNING:**

THESE PRODUCTS MUST BE USED IN STRICT COMPLIANCE WITH FEDERAL O.S.H.A. AND CANADIAN WCB REGULATIONS. FOLLOW ALL SAFETY PRACTICES. FAILURE TO READ AND FOLLOW INSTRUCTIONS ON THE USE OF THESE PRODUCTS COULD RESULT IN PROPERTY DAMAGE OR SERIOUS INJURY.

## **READ AND FOLLOW INSTRUCTIONS CAREFULLY**

### **WARNING**

Always check product for damage prior to use. If any equipment parts are cracked, bent or damaged – **DO NOT USE.**

### **CARE AND MAINTENANCE:**

1. Inspect all **PR600 FALL PROTECTION SYSTEM** equipment and parts before and after each use to insure there is no damage or deformation to any equipment or parts.
2. Inspect or insure there is no damage as a result of rust or corrosion. Discard if necessary.
3. Always handle the **PR 600 FALL PROTECTION SYSTEM** with care. Pay special attention in checking for splitting, cracking or deterioration of this equipment; if any, discard at once.
4. Do not throw or drop any of the equipment or parts from building or heights. Always handle with care.

### **GENERAL REQUIREMENTS:**

**PR 600 MOBILE FALL PROTECTION SYSTEM** shall be used only on roof structure capable of resisting the max. vertical (800 lbs.) and horizontal (3100 lbs.) loads resulting from workers' fall and driving in of pivot plates into the roof system.

Always erect and use in accordance with the appropriate O.S.H.A. and WCB regulations. Follow all applicable Federal, State, Provincial and Local Safety regulations.

The **PR 600 MOBILE FALL PROTECTION SYSTEM** should not be used on solid ice.

## **DECK INSTRUCTIONS**

The **PR 600** shall not be used for fall arrest on leading edge work where the parapet is higher than 30" (.7 meters).

If a worker falls over the edge, the lifeline will pull on the top of the mast, pulling on the cross member that is welded to the pivot arms, pushing on the lower cross member driving pivot arm plates into the roofing membrane. This anchors the **PR 600 SYSTEM**, creating a moment between the pivot arms and the ballast weight, thus arresting the worker's fall.

If there is no existing roofing membrane, then an accessory plate will be bolted to the pivot arm plates and then mechanically fastened to the roof deck with four (4) 3/8 x 2" (1 cm x 5.1 cm) wedge anchors, embedded 1-1/2" (3.8 cm) into concrete.

On wood decks where there is no existing membrane, turn the handle on the wheel jack to lift the ballast weight, until the pivot points depress the wood. On steel fluted decks, where the flutes are running parallel to the leading edge, lift the ballast weight until the pivot points set into the bottom of flute. On steel decks, where the flutes run perpendicular to the leading edge, an accessory plate must be bolted to the pivot arm plates and accessory plate is fastened to the steel deck, with a minimum 5/16 x 1-1/2" self tapping sheet metal screw.

Our **PR 600 MOBILE FALL PROTECTION SYSTEM** is also designed to break down into component parts allowing one person to take the system up to the roof in an elevator and assemble it on the roof.

# PR 600 MOBILE FALL PROTECTION SYSTEM

The **PR 600 MOBILE FALL PROTECTION SYSTEM** was designed to be used on top of flat roofs. This fall protection system clamps to a standard roof utility cart and can be adjusted to fit onto all standard carts, allowing the **PR 600** to be moved along the roof's top, simply by pulling the roof cart to the desired location. The position of the utility cart will be parallel to the leading roof edge with the pivot arms pointing towards the edge. The distance of the pivot arms to the leading edge will be no less than fifteen feet (4.6 meters). The ballast weight will be extended out to a distance of nine feet (2.8 meters) from the pivot arms.

Turn the handle on the Wheel Jack that lifts the Ballast Weight and lowers the Pivot Arms, so that they touch onto the roof's deck, setting the fall protection system in place. After positioning the **PR 600**, the turning wheel must be locked in the forward position with the **PR 600** locking device or the brake.

## IMPORTANT

**1. NOTE:** No more than one worker anchored to a **PR 600** shall enter a corner area.

Worker shall not round a corner, or work at right angle to the pivot arms, at an opposing leading edge.

In the event of a worker's fall at a right angle to the pivot arms, could cause the **PR 600** to turn about its axis until the pivot arms are facing the direction of the worker's fall.

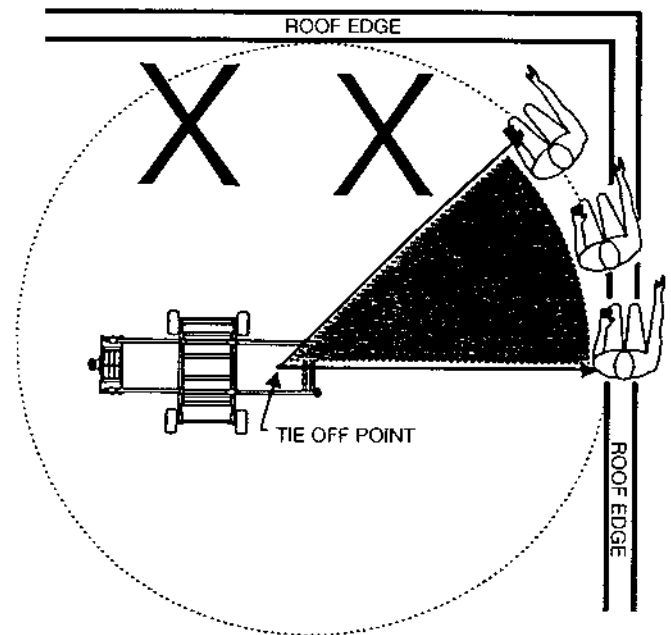
The pivot points will then penetrate the roof and the ballast weight will arrest the worker's fall.

Rigging must be carried out by a competent person to the distance of chart supplied, such as the lifeline not to exceed two feet in addition to distance from pivot arms perpendicular to leading edge.

When using the **PR 600** on non-Federal projects in the State of California, a worker's life line must be rigged as travel restraint. Refer to Chart.

Maximum weight of worker, including tools, shall not be greater than 310 lbs. (141 kg.)

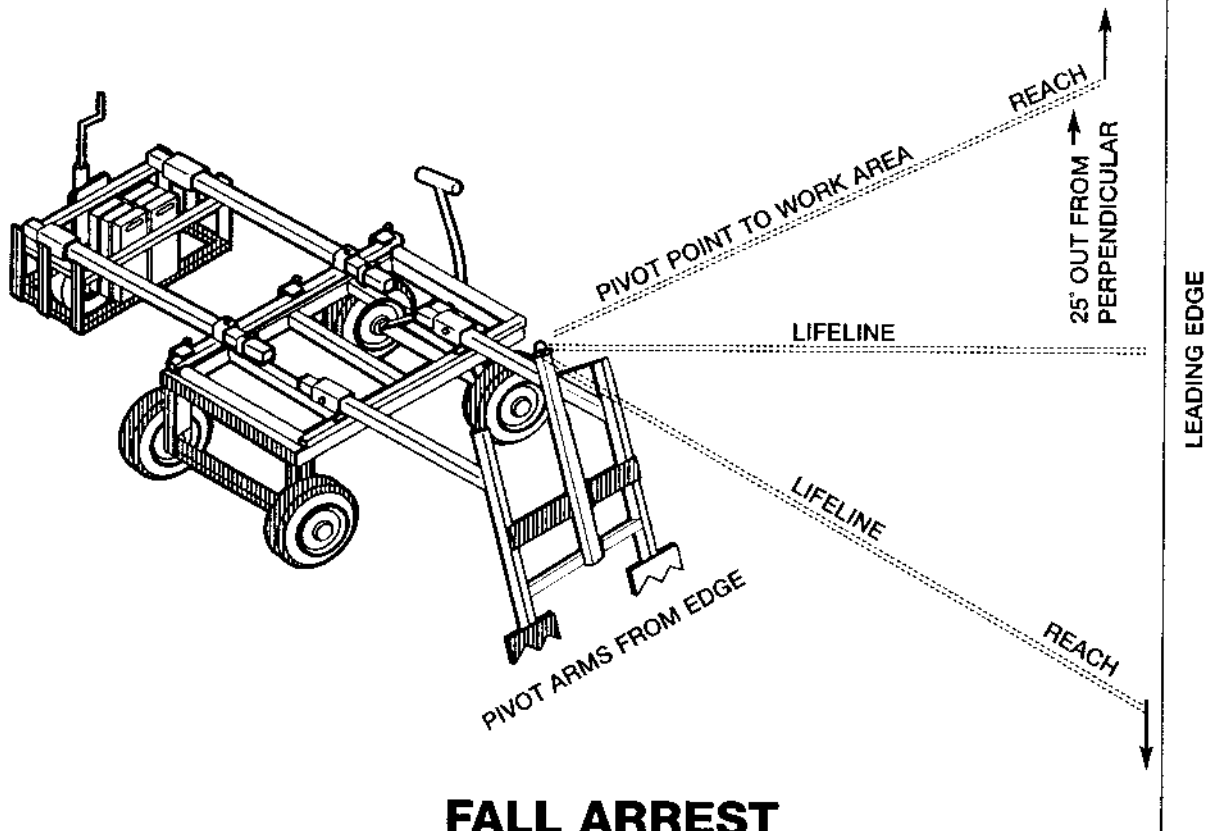
**2. NOTE:** AT NO TIME can a static line be used between two **PR 600s**. Workers must be attached directly to the anchor rings on the mast.



# PROTECTIVE ROOFING PRODUCTS LTD.

10 Pinelands Ave., Unit #5, Stoney Creek, ON, Canada L8E 3A5  
 (800) 560-3093 • (905) 662-1169 • fax (905) 662-8520  
 Website: www.prplimited.com • E-Mail: info@prplimited.com

## PR 600 MOBILE FALL PROTECTION SYSTEM



### FALL ARREST

Persons using the **PR 600** as a Fall Arrest Anchor shall be of a weight **NOT** greater than 310 lbs. (141 kg.) including tools.

### 2 FEET (.6 METERS)

Pivot Arms from Edge	Life Line	Reach Along Leading Edge
20 ft.	22 ft.	25 ft.
25 ft.	27 ft.	30 ft.
30 ft.	32 ft.	32 ft.
35 ft.	37 ft.	35 ft.
40 ft.	42 ft.	40 ft.

### PR 600 TRAVEL RESTRAINT

Pivot Arms from Edge	Life Line	Reach Along Leading Edge
20 ft.	19 ft. 6"	21 ft.
25 ft.	24 ft. 6"	24 ft.

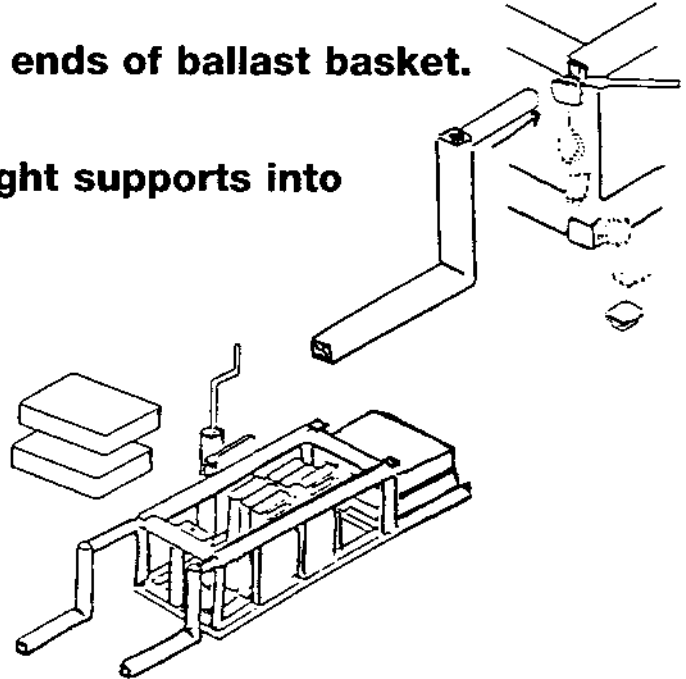
# PR 600 CONCRETE WEIGHT SUPPORTS

## ASSEMBLY INSTRUCTIONS

**Step 1. Remove square plugs at ends of ballast basket.**

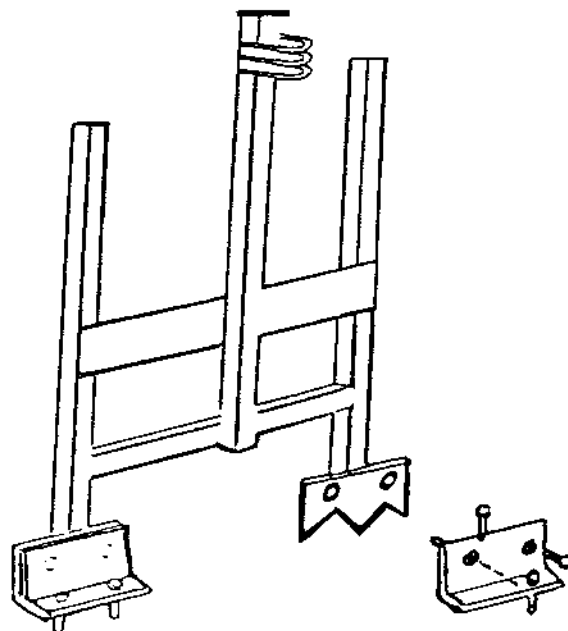
**Step 2. Insert small ends of weight supports into openings.**

**Step 3. Place weights onto support arms.**



---

## PIVOT PLATES



**Pivot plates**