

# PROTECTIVE ROOFING PRODUCTS LTD.

10 Pinelands Ave., Unit #5, Stoney Creek, ON, Canada L8E 3A5

Website: [www.prplimited.com](http://www.prplimited.com) • E-Mail: [info@prplimited.com](mailto:info@prplimited.com)

1-800-560-3093 • 1-905-662-1169 • Fax 1-905-662-8520

---

## U.S. Installation and Maintenance Instruction for EAVE CATCHGUARD - PR 20

---

EAVE CATCHGUARD PR 20 COMPLIES WITH THE REQUIREMENTS OF THE FEDERAL OCCUPATIONAL SAFETY AND HEALTH ADMINISTRATION (OSHA) AND OCCUPATIONAL HEALTH AND SAFETY (OH & S) WHEN INSTALLED ACCORDING TO THE MANUFACTURER'S INSTRUCTIONS.

---

### WARNING:

THESE PRODUCTS MUST BE USED IN STRICT COMPLIANCE WITH FEDERAL **OSHA** AND CANADIAN **WCB** REGULATIONS. FOLLOW ALL SAFETY PRACTICES. FAILURE TO READ AND FOLLOW INSTRUCTIONS ON THE USE OF THESE PRODUCTS COULD RESULT IN PROPERTY DAMAGE OR SERIOUS INJURY.

---

### READ AND FOLLOW INSTRUCTIONS CAREFULLY

### WARNING:

Always check product for damage prior to use. If any equipment parts or welds are cracked, bent or damaged - **DO NOT USE**.

MAXIMUM SPACING OF BRACKETS AND MAIN FRAMES IS EIGHT (8) FEET.

### CARE AND MAINTENANCE:

1. Inspect all Eave Catchguard PR 20 equipment and parts before and after each use to insure there is no damage or deformation to any of the equipment or parts.
2. Inspect or insure there is no damage as a result of rust or corrosion. Discard if necessary.
3. Always handle the Eave Catchguard PR 20 with care. Pay special attention in checking for splitting, cracking or deterioration of this equipment; if any discard at once.
4. Do not throw or drop any of the equipment or parts from a building or heights. Always handle with care.
5. Do not use equipment or parts if they have been exposed to extreme heat or cold.

### GENERAL REQUIREMENTS:

Always erect and use in accordance with the appropriate **OSHA** and **WCB** Regulations. Follow all applicable Federal, State, Provincial and Local Safety Regulations.

# INSTALLATION INSTRUCTIONS EAVE CATCHGUARD PR 20

## **STEP ONE: ATTACHING THE RAFTER BRACKET**

(Refer to drawing A)

Set the rafter bracket (1) on the roof deck directly over a rafter with the hinge coupling extending just past the rafter tail.

Fasten the rafter bracket with a minimum of five (5) 20 penny nails (3/16 x 4") through the slots provided and penetrating into rafter.

## **STEP TWO: ATTACHING THE STANCHION TO THE RAFTER BRACKET**

(Refer to drawing A)

Fit center hinge coupling (2) (LOCATED NEAR BOTTOM OF STANCHION) between the two outer pieces of hinge coupling on rafter bracket.

Adjust the compression plate (3) until the stanchion is sloped slightly inward.

Insert pin (4) through hinge coupling.

## **STEP THREE: SETTING THE SAFETY STRAP**

(Refer to drawing B)

Insert the safety strap (5) (9' LONG STEEL FLAT BAR) through tightener (6) on the underside of stanchion. Allow the strap to extend out towards the placement of the next stanchion. Tighten firmly in place after all stanchions are up.

\* Repeat steps one through three until desired number of stanchions are in place.

\*\* INSTALL STANCHIONS EIGHT FEET APART.

## **STEP FOUR: INSTALLING TOE BOARDS AND GUARDRAILS**

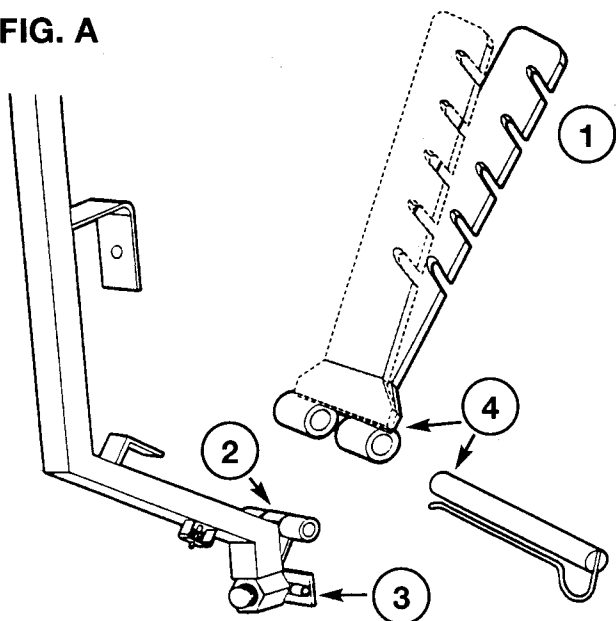
(Refer to drawing B)

Install minimum 2" x 10" x 10' on base of stanchion (7) under cleat, overlapping the adjoining stanchion by one foot.

Install 2" x 6" x 10' or larger 2" x 8" x 10' against the inside of stanchion (8) on top of base plank, overlapping the adjoining stanchion by one foot.

Install 2" x 6" x 10' through top (9) and mid rail (10) supports extending one foot past the adjoining stanchion. Fasten all wood members by nail or screw through holes provided in rail supports or cleats.

**FIG. A**



**FIG. B**

