

THE

# PR 100 SAFETY GUARDRAIL SYSTEM



THE PENTAGON

for

# FLAT ROOFS

# PR 100 Safety Guardrail System

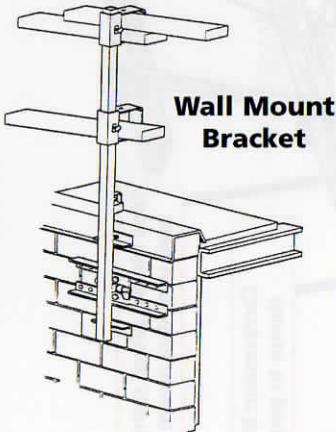
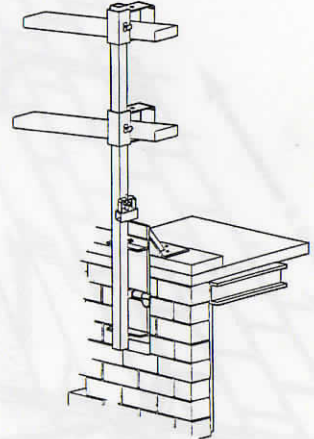
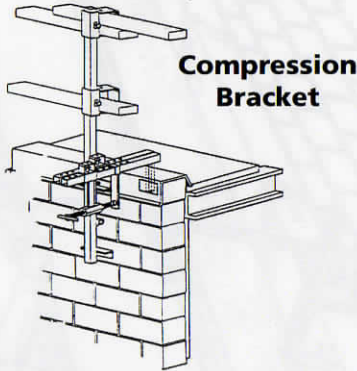
The PR 100 Guardrail System for flat roofs is comprised of a stanchion and a compression bracket. Also available are two separate mounting brackets to fit different applications. It will allow man and equipment to work up to the edge. The standard bracket is the Compression Bracket which will clamp to a parapet up to 14" wide. If the parapet is wider than 14", extensions are available to fit any width. The Stanchion has a guide welded on the side that will slide along the tube on the Compression Bracket, in toward the wall and a spring-loaded pin will lock into place. Two men can easily set up 100 ft. of guardrail in 25 minutes. The system does not have to be dismantled to install flashing and coping.



**PR 100 USED AT THE PENTAGON.**

# The PR 100

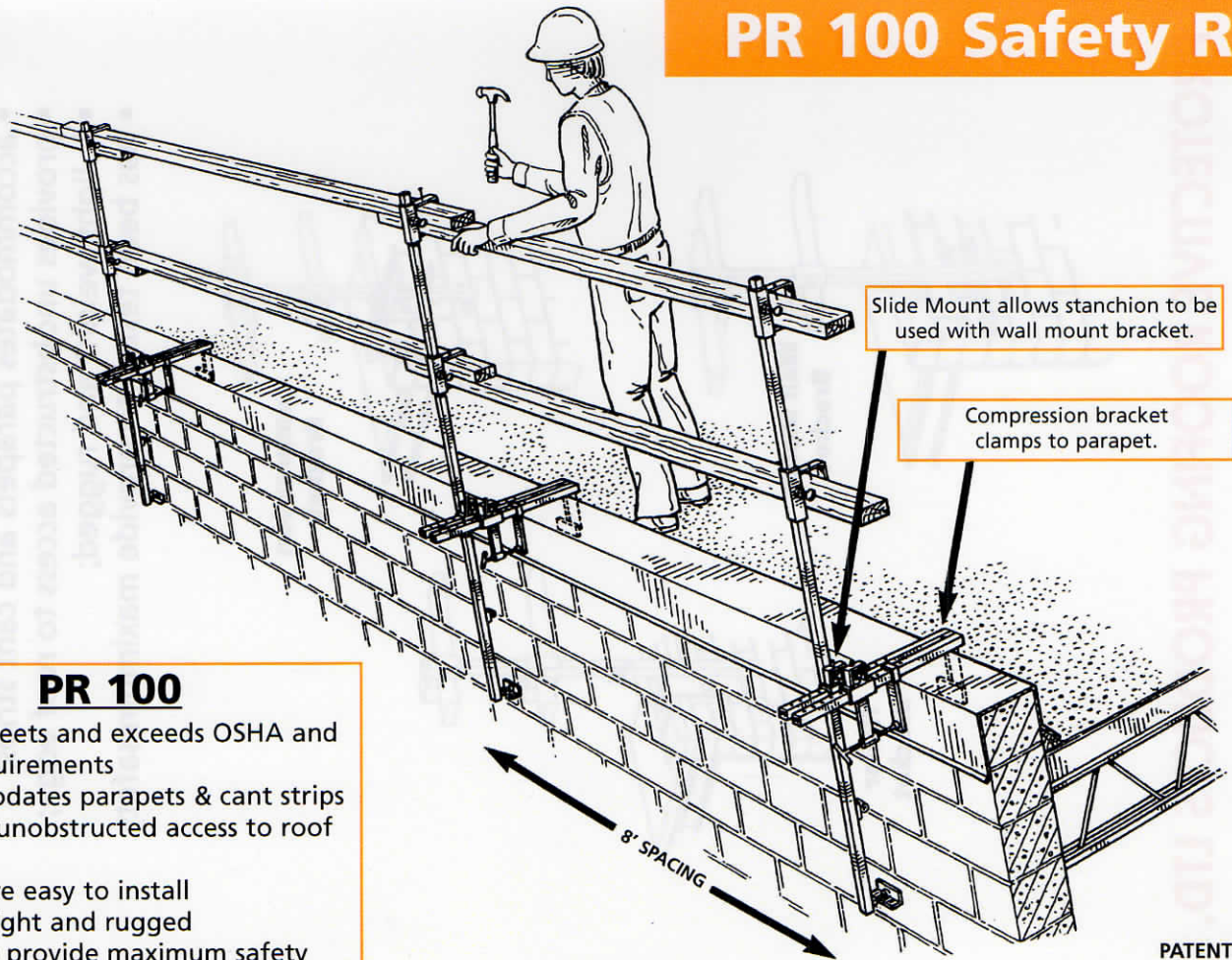
- meets and exceeds OSHA and WCB requirements;
- accommodates parapets and cant strips;
- provides unobstructed access to roof edge;
- is light weight and rugged;
- has been tested to provide maximum safety.



**PROTECTIVE ROOFING PRODUCTS LTD.**

10 Pinelands Ave., Unit #5, Stoney Creek, ON, Can. L8E 3A5  
Website: [www.prplimited.com](http://www.prplimited.com) • E-Mail: [info@prplimited.com](mailto:info@prplimited.com)  
Tel: 1-905-662-1169 or 1-800-560-3093 • Fax 1-905-662-8520

# PR 100 Safety Rail



Slide Mount allows stanchion to be used with wall mount bracket.

Compression bracket clamps to parapet.

## **PR 100**

- PR 100 meets and exceeds OSHA and WCB requirements
- Accommodates parapets & cant strips
- Provides unobstructed access to roof edge
- PR 100 are easy to install
- Light weight and rugged
- Tested to provide maximum safety

PATENT PENDING